

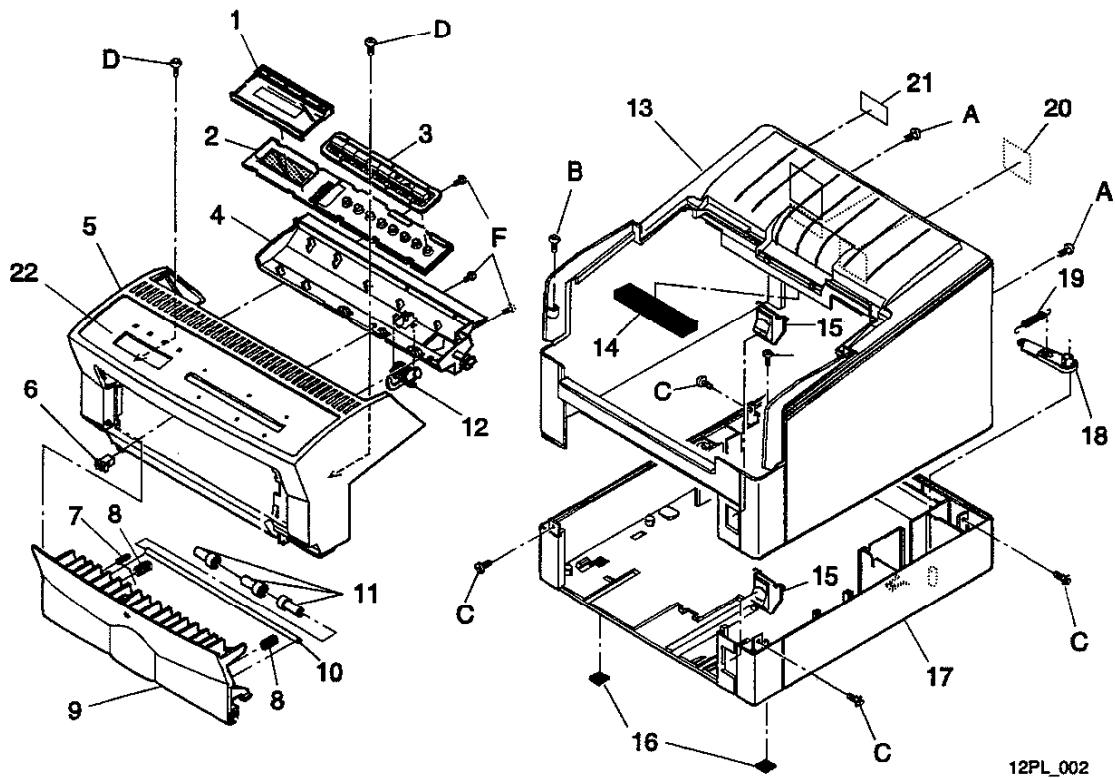
Section 3

Parts Lists

PL 1 Covers	3-2
PL 2 Frame 1 (1 of 4)	3-4
PL 3 Frame 1 (2 of 4)	3-6
PL 4 Frame 1 (3 of 4)	3-8
PL 5 Frame 1 (4 of 4)	3-10
PL 6 Frame 2 (1 of 2)	3-12
PL 7 Frame 2 (2 of 2)	3-14
PL 8 Transport Unit (1 of 2)	3-16
PL 9 Transport Unit (2 of 2)	3-18
PL 10 Fuser	3-20
PL 11 Cassette	3-22
PL 12 Packing Material & Accessories	3-24
PL 13 Hardware	3-26
PL 14 Part Number Cross Reference	3-27

PL 1 Covers

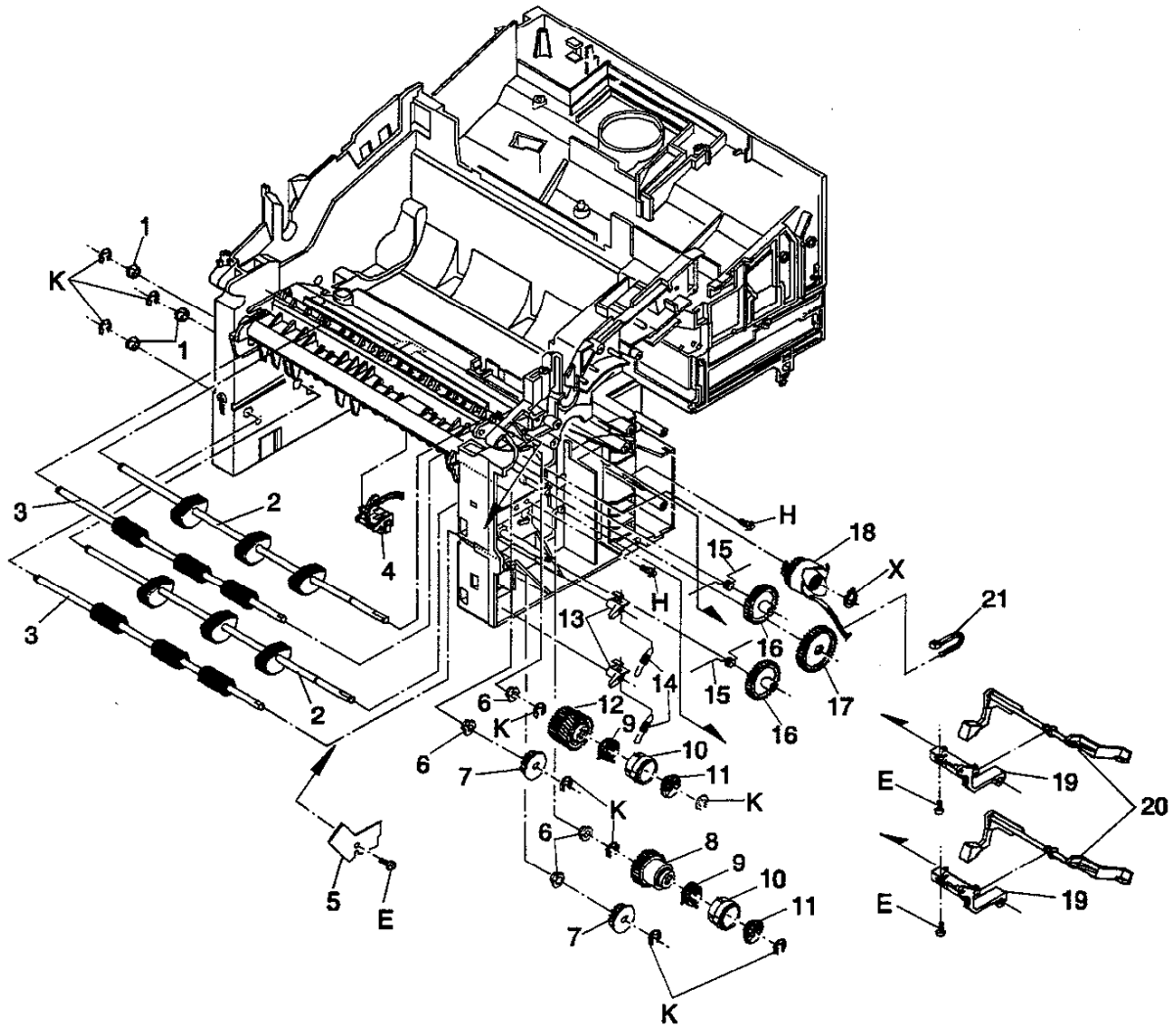
Item	Part	Description
1)	-----	LCD Cover {P/O Item 5}
2)	-----	Control Panel PWB {P/O Item 5}
3)	-----	Key Panel {P/O Item 5}
4)	-----	Control Panel Holder {P/O Item 5}
5)	48K56490	Front Panel Assembly {Includes Items 1, 2, 3, 4, 6, & F}
6)	3E42080	Front Cover Latch {P/O Item 5}
7)	-----	Earth Spring {P/O Item 9}
8)	-----	Roller Spring {P/O Item 9}
9)	54K12370	Duplex Access Cover {Includes Items 7, 8, 10, & 11}
10)	-----	Roller Shaft {P/O Item 9}
11)	-----	Rollers {P/O Item 9}
12)	120E14740	Paper Exit Sensor Actuator
13)	48K56500	Upper Cover {Includes Items 14 and 15}
14)	-----	Upper Cover Cushion {P/O Item 13}
15)	-----	Eject Button {P/O Item 13 and 17}
16)	-----	Rubber Foot {P/O Item 17}
17)	48K56510	Bottom Cover {Includes Items 15, 16, 18, & 19}
18)	-----	Cassette Push Out Lever {P/O Item 17}
19)	-----	Cassette Push Out Spring {P/O Item 17}
20)	-----	Caution Label (220V)
21)	-----	Class 1 Label (220V)
22)	891E17370	French Language Overstick Label
A	153W28050	M3x10 Binding Head Tapping Screw
B	153W36050	M4x10 Pan Head Tapping Screw
C	26E43680	M4x12 Binding Head Tapping Screw
D	153W27850	M3x8 Pan Head (Cup) Tapping Screw
F	153W27650	M3x6 Binding Head Tapping Screw



12PL_002

PL 2 Frame 1 (1 of 4)

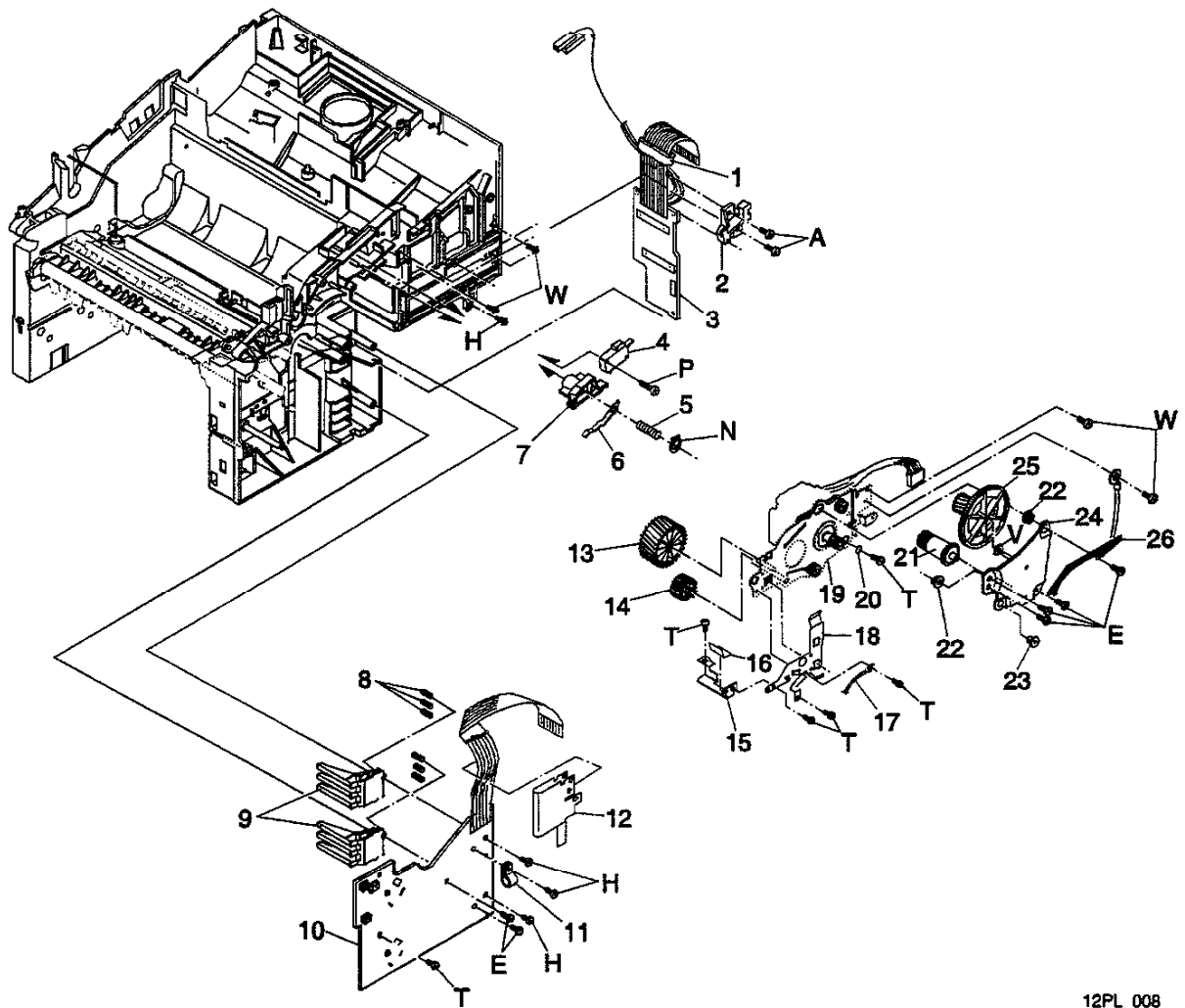
Item	Part	Description
1)	-----	Drive Bearings
2)	22K53560	Paper Feed Roller
3)	6K17050	Transport Roller
4)	130K56450	Registration Sensor
5)	-----	Harness Retaining Plate
6)	-----	Bearing
7)	7E47810	Transport Roller Gear
8)	7E47820	Lower Paper Feed Gear
9)	5E12110	Clutch Spring
10)	-----	Clutch Sleeve
11)	-----	Clutch Boss
12)	7E47830	Upper Paper Feed Gear
13)	-----	Eject Lever
14)	-----	Eject Spring
15)	-----	Earth Spring
16)	7E47840	31T Gear
17)	7E47850	39T Gear
18)	121E13210	Registration Clutch
19)	-----	Paper Empty Actuator Holder
20)	120E14570	Paper Empty Actuator
21)	600S556	Cable Tie
E	153W27850	M3x8 Binding Head Tapping Screw
H	153W28050	M3x10 Binding Head Tapping Screw
K	354W20752	4MM E-Ring
X	356W15251	Grip Ring 1.9MM



12PL_007

PL 3 Frame 1 (2 of 4)

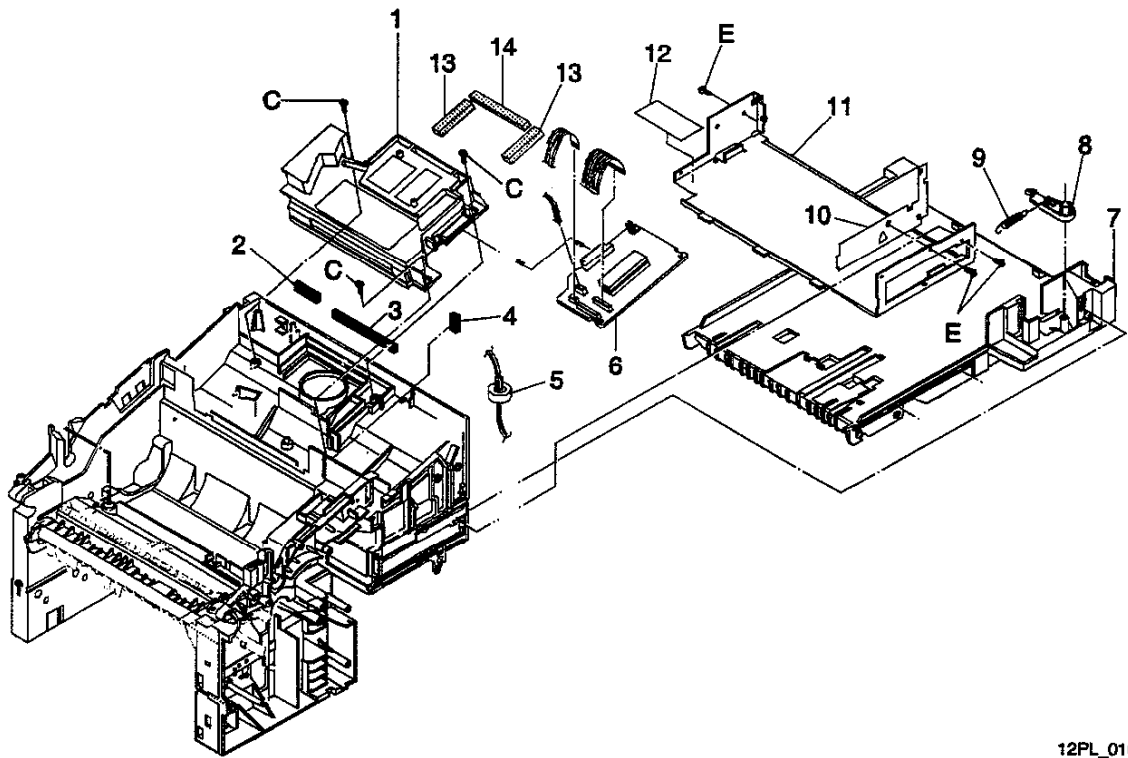
Item	Part	Description
1)	-----	Core
2)	-----	Harness Retainer
3)	160K31850	Motor Driver PWB
4)	110E07460	Safety Switch
5)	-----	Safety Switch Spring
6)	-----	Safety Switch Actuator
7)	-----	Safety Switch Lever
8)	809E01350	Size Detect Spring
9)	120E14580	Size Detect Lever
10)	160K31860	Cassette PWB
11)	-----	Cable Clamp
12)	-----	Harness Shield
13)	7E47860	36T Gear
14)	7E47870	30T Gear
15)	-----	Earth Plate
16)	-----	Harness Sheet
17)	-----	Fuser Ground Wire
18)	-----	Frame Earth Plate
19)	127K22200	Main Drive Motor Assembly
20)	-----	Earth Spring
21)	7E47890	54T/24T Gear
22)	-----	Drive Spacer
23)	-----	Brake Boss
24)	-----	Drive Bracket
25)	7E47880	Gear
26)	-----	Harness Retainer
A	153W28050	M3x10 Binding Head Tapping Screw
E	153W27850	M3x8 Binding Head Tapping Screw
H	153W28050	M3x10 Binding Head Tapping Screw
N	356W26251	Grip Ring 5MM
P	153W28850	M3x16 Binding Head Tapping Screw
T	113W27651	M3x6 Pan Head Machine Screw
V	252W02051	Washer 4.1IDx6.5ODx0.25 Thick
W	113W27850	M3x8 Binding Head Tapping Screw



12PL_008

PL 4 Frame 1 (3 of 4)

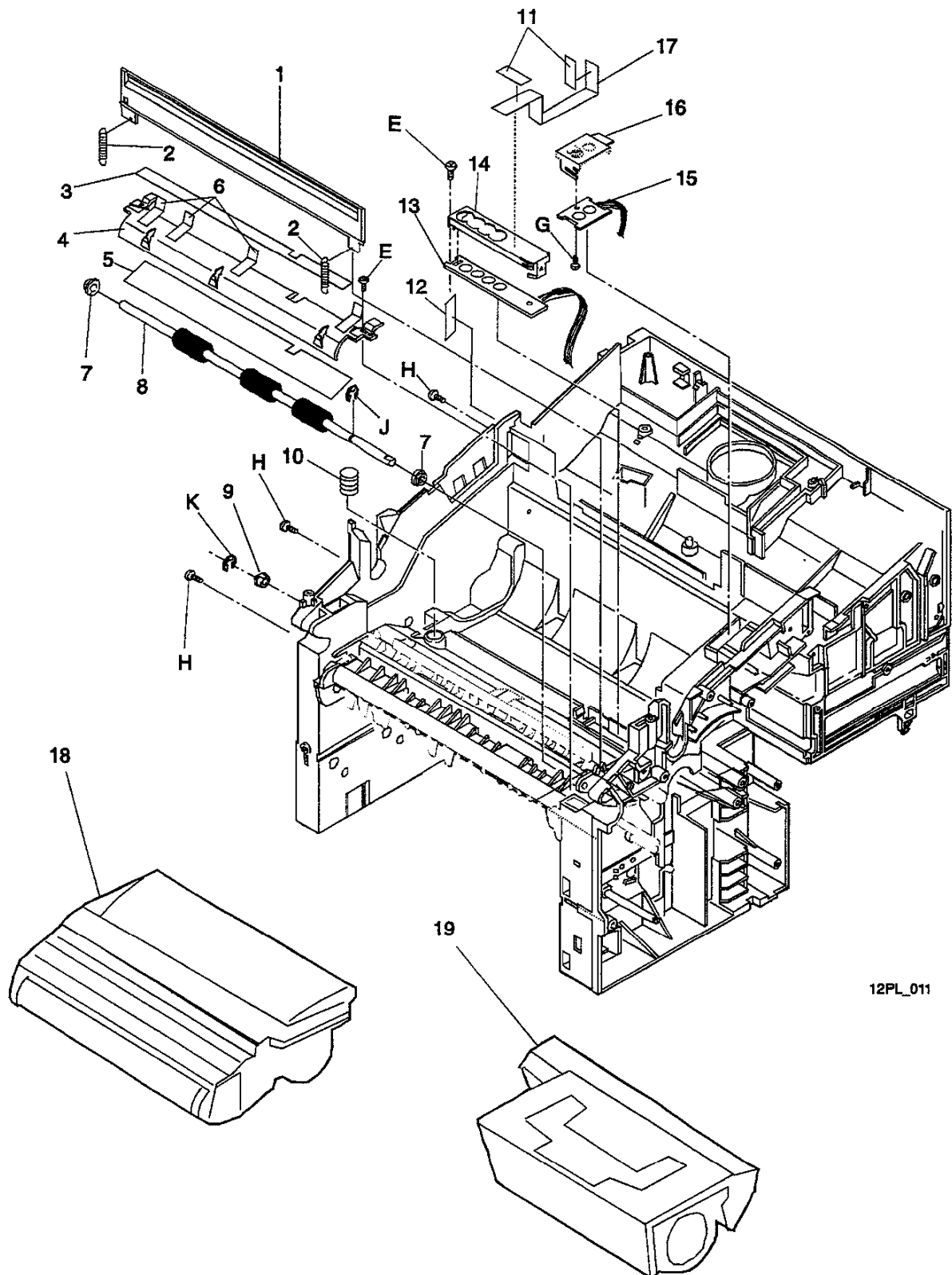
Item	Part	Description
1)	62K08340	Laser Assembly
2)	-----	Laser Cushion D
3)	-----	Laser Cushion C
4)	-----	Laser Cushion A
5)	-----	Core
6)	160K31820	Printer Controller PWB
7)	-----	Guide Frame Unit (This includes No. 2,3)
8)	-----	Cassette Push Out Lever
9)	-----	Cassette Push Out Spring
10)	-----	Shield
11)	-----	Bottom Plate
12)	-----	Bottom Plate Tape
13)	-----	Laser Cushion B
14)	-----	Laser Cushion E
C	26E43680	M4x12 Binding Head Tapping Screw
E	153W27850	M3x8 Binding Head Tapping Screw



12PL_010

PL 5 Frame 1 (4 of 4)

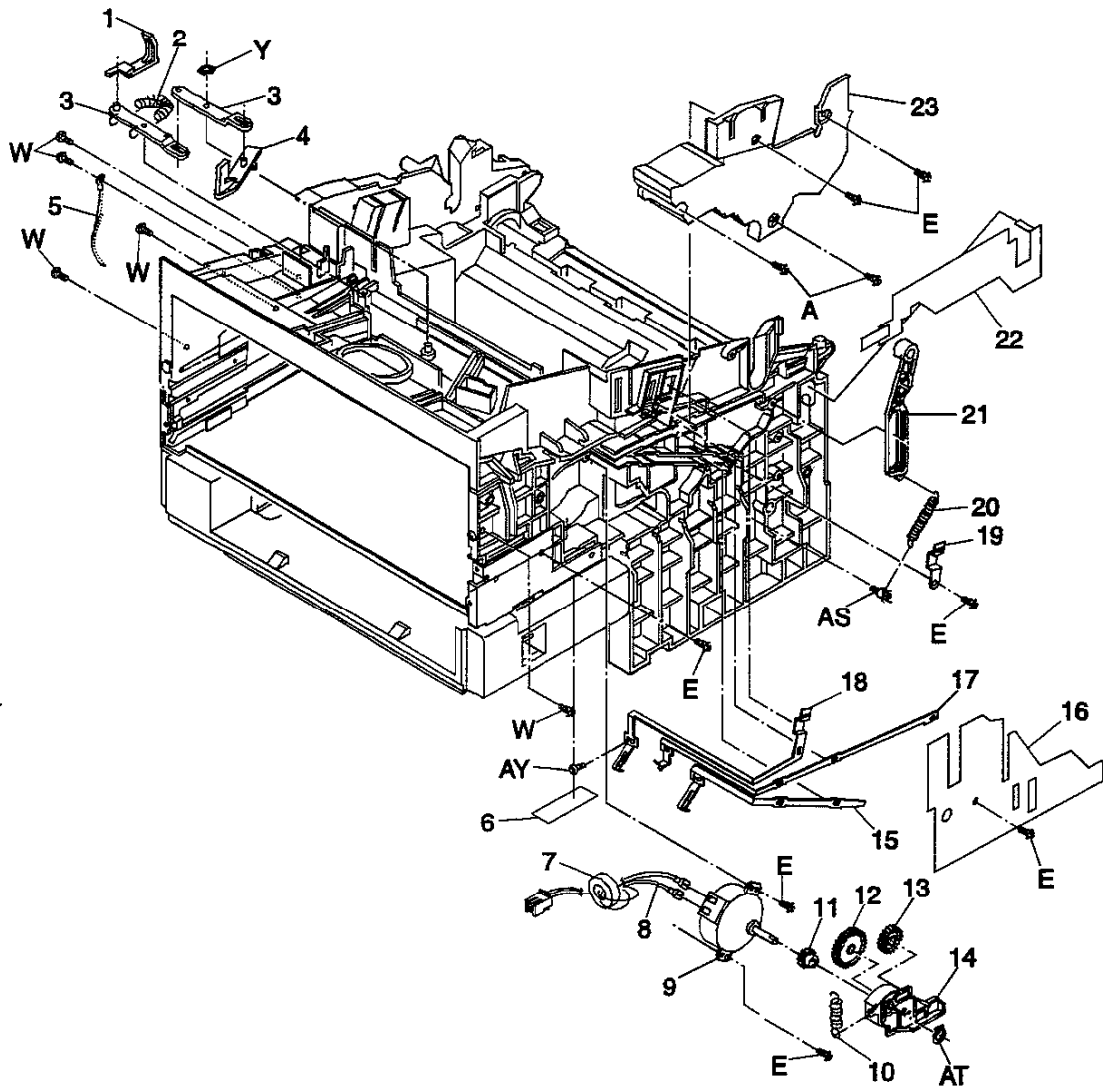
Item	Part	Description
1)	-----	Paper Guide Assembly
2)	-----	Paper Guide Spring
3)	-----	PF Sheet B, P/O item 16 Guide Sheet B {P/O Item 4}
4)	54K12360	Paper Guide Assembly {Includes Items 3, 5, & 6}
5)	-----	PF Sheet A, P/O item 16, Guide Sheet A {P/O Item 4}
6)	-----	P/O item 16, Guide Sheet C {P/O Item 4}
7)	-----	Register Roller Bearing
8)	6K17040	Register Roller
9)	-----	Drive Bearings
10)	-----	Spring for Developer Cartridge
11)	-----	Earth Sheet
12)	-----	Slide Sheet
13)	160K31840	Toner Sensor PWB
14)	-----	Earth Plate for Sensor
15)	160K31830	Drum Connect PWB
16)	-----	Drum Connector Shield Plate
17)	-----	Earth Tape
18)	101R90	Photoconductor / Drum Cartridge
19)	106R88	Developer Cartridge
E	153W27850	M3x8 Binding Head Tapping Screw
G	153W27550	M3x5 Binding Head Tapping Screw
H	153W28050	M3x10 Binding Head Tapping Screw
J	354W20852	5MM E-Ring
K	354W20752	4MM E-Ring



12PL_011

PL 6 Frame 2 (1 of 2)

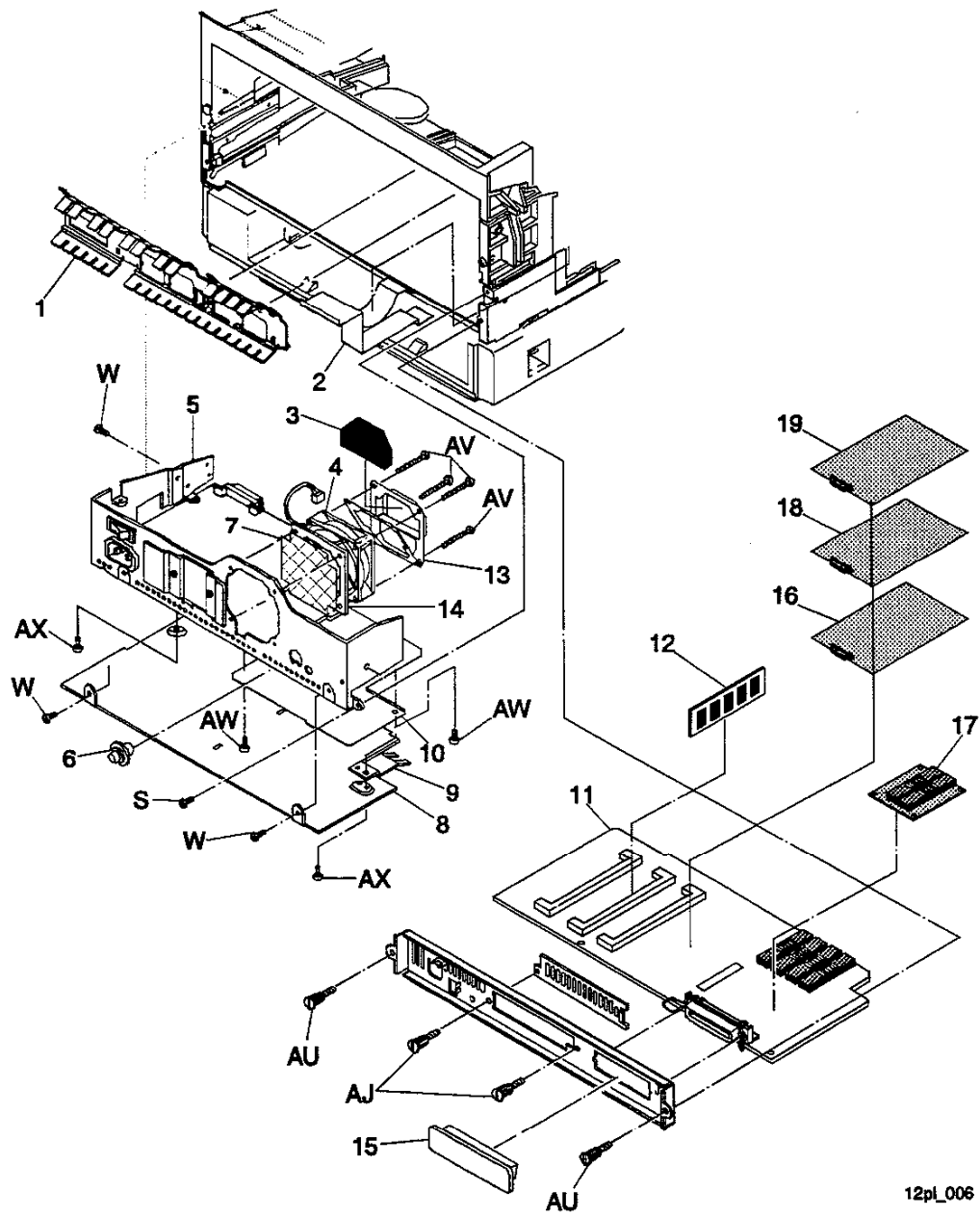
Item	Part	Description
1)	-----	Shutter Lever B
2)	-----	Shutter Spring A
3)	-----	Shutter Lever A
4)	-----	Laser Shutter
5)	-----	Ground Wire
6)	-----	Bottom Plate Tape
7)	-----	Core
8)	-----	Toner Motor Harness
9)	127E10740	Toner Motor
10)	-----	Toner Arm Spring
11)	7E47920	15T Gear
12)	7E47910	40T Gear
13)	7E47900	26T Gear
14)	31E08310	Toner Arm
15)	-----	High Voltage Terminal A
16)	-----	Toner Motor Shield Plate
17)	-----	High Voltage Terminal B
18)	-----	High Voltage Terminal C
19)	-----	High Voltage Terminal D
20)	-----	Transport Stopper Spring
21)	-----	Transport Stopper
22)	-----	Duct Sheet
23)	-----	Duct Case
A	153W28050	M3x10 Binding Head Tapping Screw
E	153W27850	M3x8 Binding Head Tapping Screw
W	113W27851	M3x8 Binding Head Tapping Screw
Y	356W24251	Grip Ring 4MM
AS	26E60270	Shoulder Screw
AT	356W19251	Grip Ring 2.5MM
AY	153W15650	M2x5 Binding Head Tapping Screw



12PL_009

PL 7 Frame 2 (2 of 2)

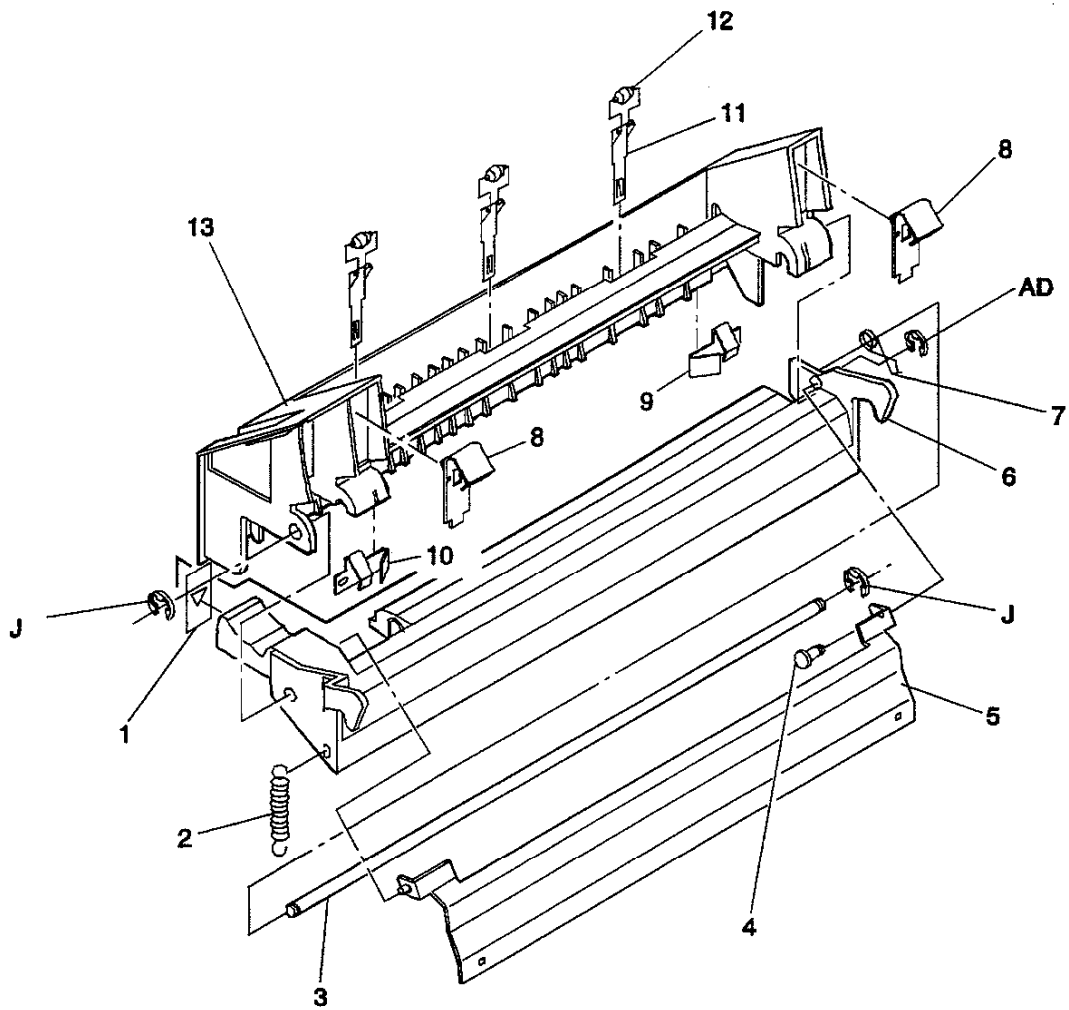
Item	Part	Description
1)	-----	Earth Plate
2)	-----	Shield Tape
3)	53E04840	Ozone Filter
4)	127E10750	Fan Motor
5)	105K16270	Low Voltage Power Supply Assembly, 110 VAC
	105K16280	Low Voltage Power Supply Assembly, 220 VAC
6)	3E41920	Toner Density Control Knob
7)	-----	Mesh
8)	-----	Shield Plate
9)	-----	Shield Plate A
10)	105K16260	High Voltage Power Supply PWB
11)	160K31870	System Controller PWB
12)	733W03660	4 MB SIMM
	733W03642	16 MB SIMM
13)	-----	Filter Case
14)	-----	Fan Motor Sheet
15)	-----	Connector Protector Cap (36 pin)
16)	160K32530	LocalTalk / Serial PWB
17)	160K32520	PostScript PWB
18)	160K31910	Ethernet PWB
19)	160K33020	Token Ring
S	26E46040	M4x6 Pan Head Machine Screw
W	113W27851	M3x8 Binding Head Tapping Screw
AJ	26E60250	Thumb Screw
AU	26E60280	Thumb Screw
AV	113W29751	M3x32 Pan Head Machine Screw
AW	113W27651	M3x6 Pan Head Machine Screw
AX	113W27451	M3x4 Pan Head Machine Screw



12pi_006

PL 8 Transport Unit (1 of 2)

Item	Part	Description
1)	-----	Fuser Cover Label {P/O Item 14}
2)	-----	Fuser Cover Spring
3)	-----	Fulcrum Shaft
4)	-----	Pressure Plate Shaft {P/O Item 14}
5)	-----	Pressure Plate {P/O Item 14}
6)	-----	Fusing Cover {P/O Item 14}
7)	-----	Pressure Plate Spring
8)	-----	Exit Guide Pressure Spring {P/O Item 15}
9)	-----	Cleaner Pressure Spring R {P/O Item 15}
10)	-----	Cleaner Pressure Spring L {P/O Item 15}
11)	-----	Delivery Guide Spring {P/O Item 15}
12)	-----	Delivery Roller {P/O Item 15}
13)	-----	Delivery Guide {P/O Item 15}
14)	48K56520	Fuser Cover {Includes Items 1, 4, 5, 6, & AD}
15)	22K53580	Exit Guide {Includes Items 8 - 13, J, & AD}
J	354W20852	5MM E-Ring {P/O Item 15}
AD	354W20452	2MM E-Ring {P/O Item 15}

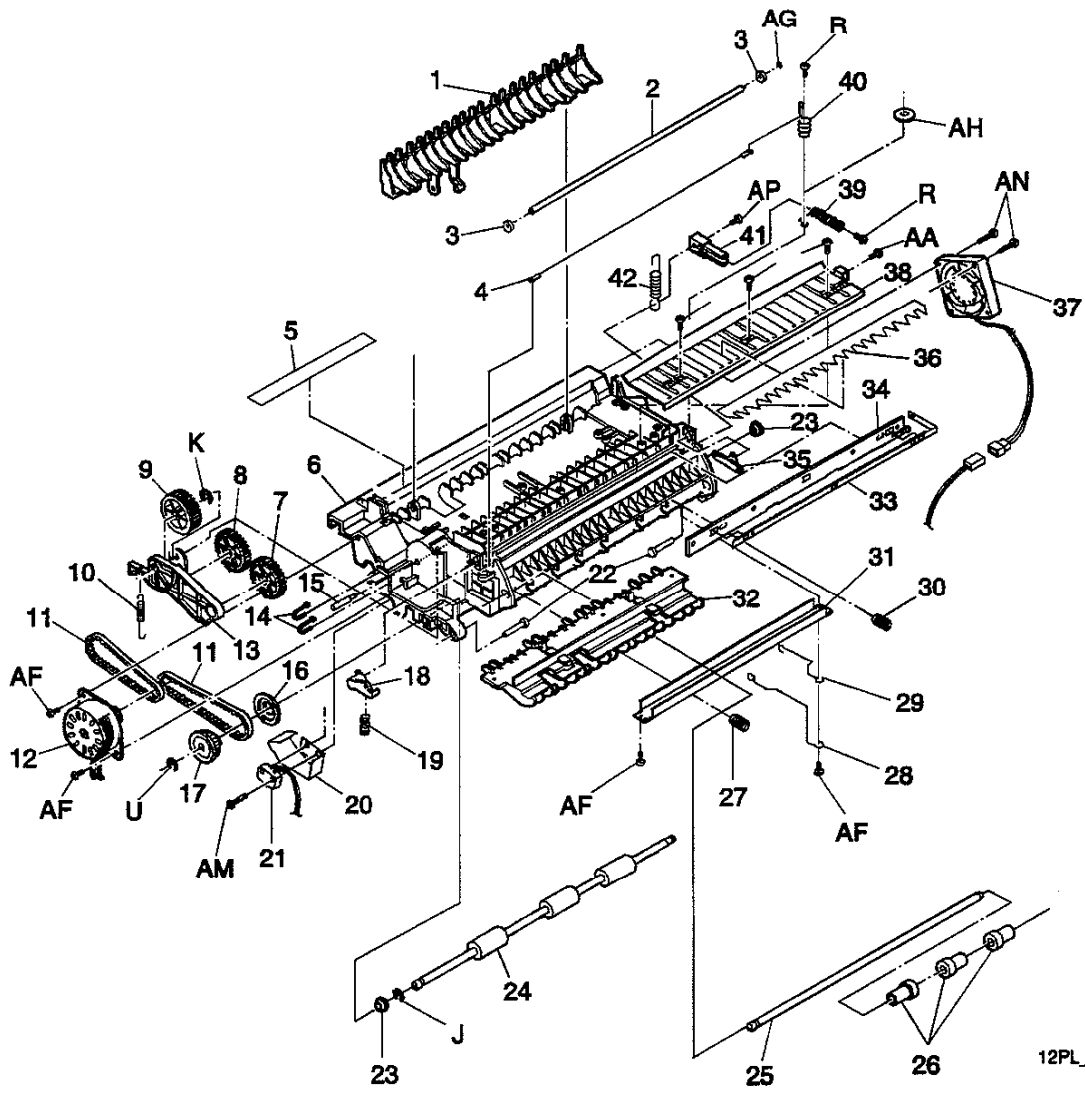


14 (Includes Items 1, 4, 5, 6, & AD)
 15 (Includes Items 8-13, J, & AD)

12PL_015

PL 9 Transport Unit (2 of 2)

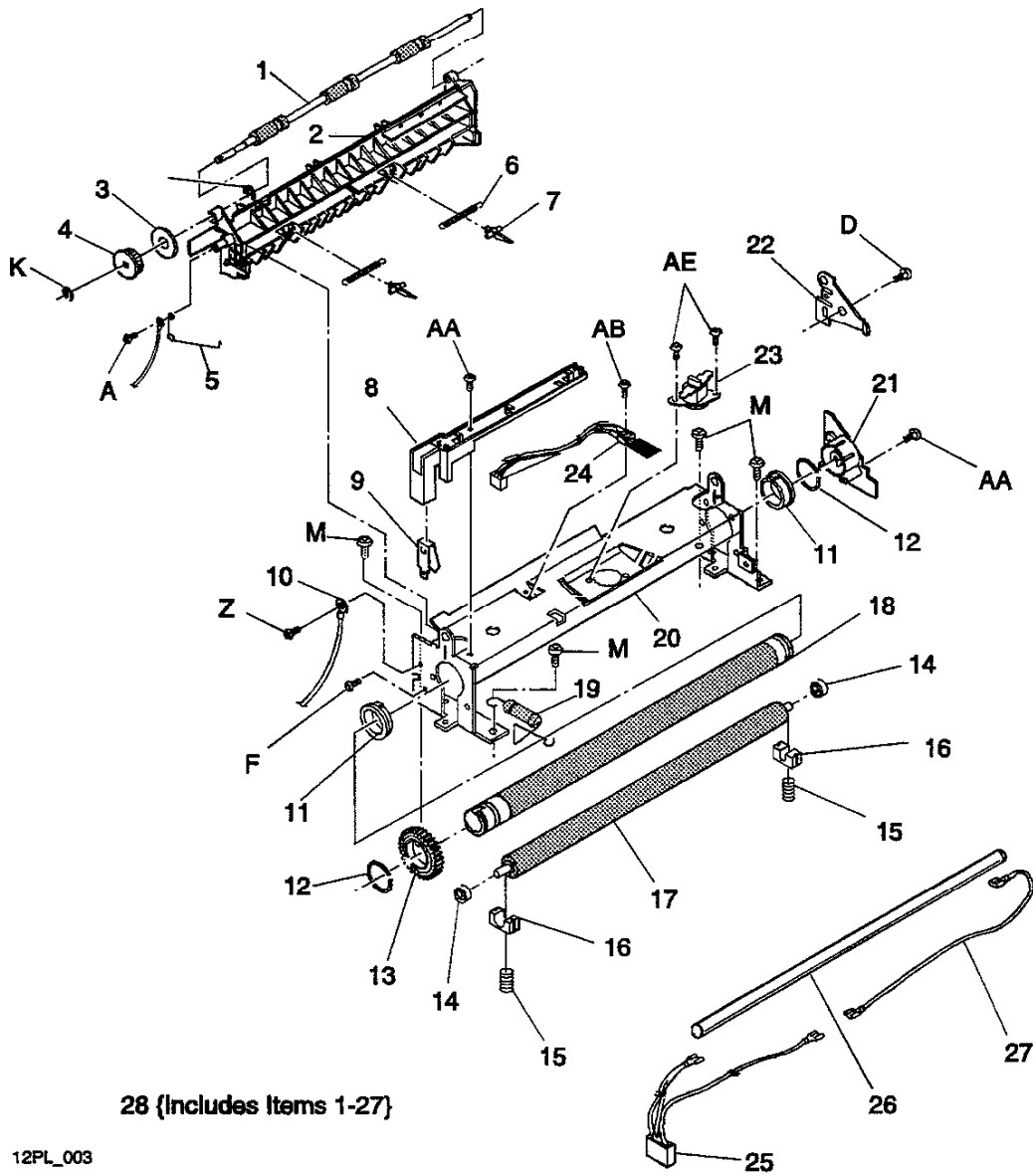
Item	Part	Description	Item	Part	Description
1)	38E17240	Paper Guide C	E	153W27850	M3x8 Binding Head Tapping Screw
2)	-----	Guide Roller	J	354W20852	5MM E-Ring
3)	22E20780	Guide Roller Collar	K	354W20752	4MM E-Ring
4)	117E17460	Transfer Corotron Wire	R	26E300140	M2.6x6 Pan Head Tapping Screw
5)	-----	Caution Label	U	354W20452	3MM E-Ring
6)	22K53570	Transport Frame Assembly	AA	113W27650	M3x6 Binding Head Tapping Screw
7)	-----	31T Gear C	AF	153W27650	M3x6 Pan Head Machine Screw
8)	-----	Transport Gear B 31T	AG	354W20552	1.5MM E-Ring
9)	-----	Transport Gear A 31T	AH	251W21151	Washer 3.3IDx6.0ODx0.5 Thick
10)	-----	Gear Arm Spring	AM	113W16051	M2x10 Screw
11)	23E14650	Duplex Drive Belt	AN	113W28651	M3x16 Screw
12)	127K22210	Duplex Transport Motor	AP	153W27850	M3x8 Pan Head Tapping Screw
13)	-----	Gear Arm			
14)	600S556	Cable Tie			
15)	-----	Gear Arm Shaft			
16)	-----	Flange 28T			
17)	7E47940	Pulley 28T			
18)	-----	Guide Arm R			
19)	-----	Guide Roller Spring			
20)	-----	Cover Switch Spring			
21)	110K09090	Cover Switch			
22)	-----	Hinge Pin			
23)	-----	PS Roller Bearing			
24)	-----	PF Roller D			
25)	-----	Registration Pinch Roll Shaft			
26)	-----	Registration Pinch Rolls			
27)	-----	Pinch Roll Earth Spring			
28)	-----	Earth Spring			
29)	-----	Transfer Corotron Case Spring			
30)	-----	Pinch Roll Spring			
31)	-----	Transfer Corotron Case			
32)	-----	Paper Guide LO			
33)	-----	Separator Electrode			
34)	-----	Separator Guide			
35)	-----	Guide Arm L			
36)	-----	Paper Guide Sheet			
37)	127E10860	Front Cooling Fan			
38)	-----	Fuser Front Paper Guide			
39)	-----	Transfer Corotron Spring BN			
40)	809E01360	Transfer Corotron Spring A			
41)	-----	Transfer Corotron Electrode Holder			
42)	-----	Guide Roller Spring L			



12PL_013

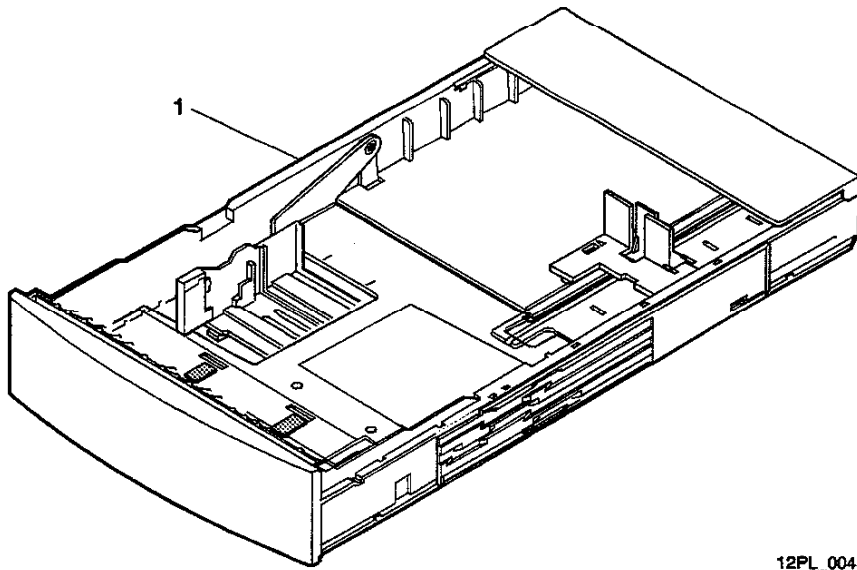
PL 10 Fuser Assembly

Item	Part	Description
1)	-----	Exit Roller
2)	-----	Separator Pawl Holder
3)	-----	Flange 24T
4)	7E47930	24T Pulley
5)	-----	Fusing Earth Spring
6)	-----	Separator Pawl Spring
7)	-----	Separator Pawl
8)	-----	Lamp Holder
9)	-----	Terminal B
10)	-----	Fusing Earth Wire
11)	-----	Heat Roll Bearing
12)	-----	Retaining Ring
13)	-----	Fuser Gear 32T
14)	-----	Pressure Bearing
15)	-----	Pressure Roller Spring
16)	-----	Pressure Roller Bearing
17)	-----	Pressure Roller
18)	-----	Heat Roller
19)	-----	Transfer Corotron Resistor
20)	-----	Base Plate
21)	-----	Heater Cover
22)	-----	Terminal A
23)	130K56470	Thermostat
24)	130K56460	Thermistor
25)	-----	Heater Harness B (110 V)
	-----	Heater Harness B (220 V)
26)	126K07420	Heater Lamp, 110 VAC
	126K07410	Heater Lamp, 220 VAC
27)	-----	Heater Harness A (110 V)
	-----	Heater Harness A (220 V)
28)	126K07440	Fuser Assembly, 110 VAC {Includes Items 1 - 27}
	126K07430	Fuser Assembly, 220 VAC {Includes Items 1 - 27}
A	153W28050	Screw 3x10
D	153W27850	M3x8 Pan Head (Cup) Tapping Screw
F	153W27650	M3x6 Binding Head Tapping Screw
K	354W20752	4MM E-Ring
M	26E54360	M4x8 Binding Head Tapping Screw
Z	113W27550	M3x4 Binding Head Tapping Screw
AA	113W27650	M3x6 Binding Head Tapping Screw
AB	113W27651	M3x6 Pan Head Machine Screw
AE	113W27451	M3x4 Pan Head Machine Screw

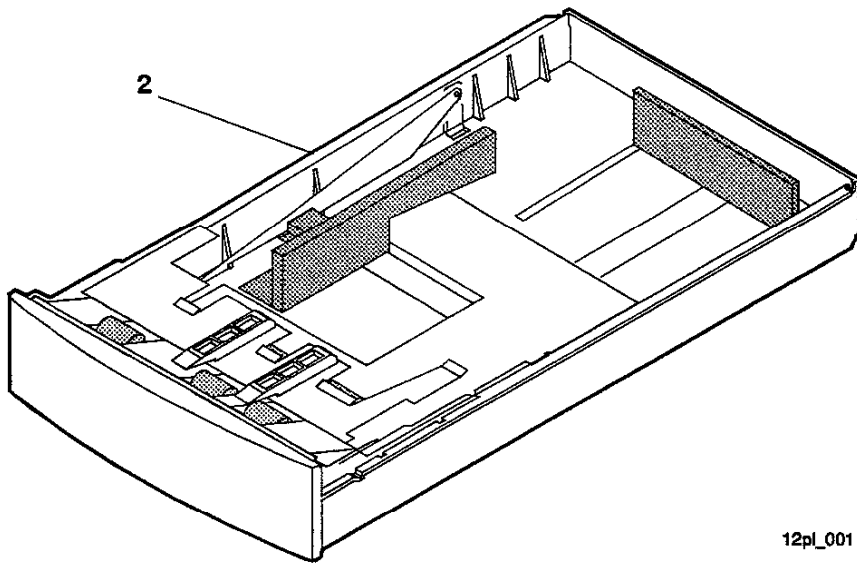


PL 11 Cassette

Item	Part	Description
1)	109R320	Adjustable Cassette
2)	109R321	Envelope Cassette



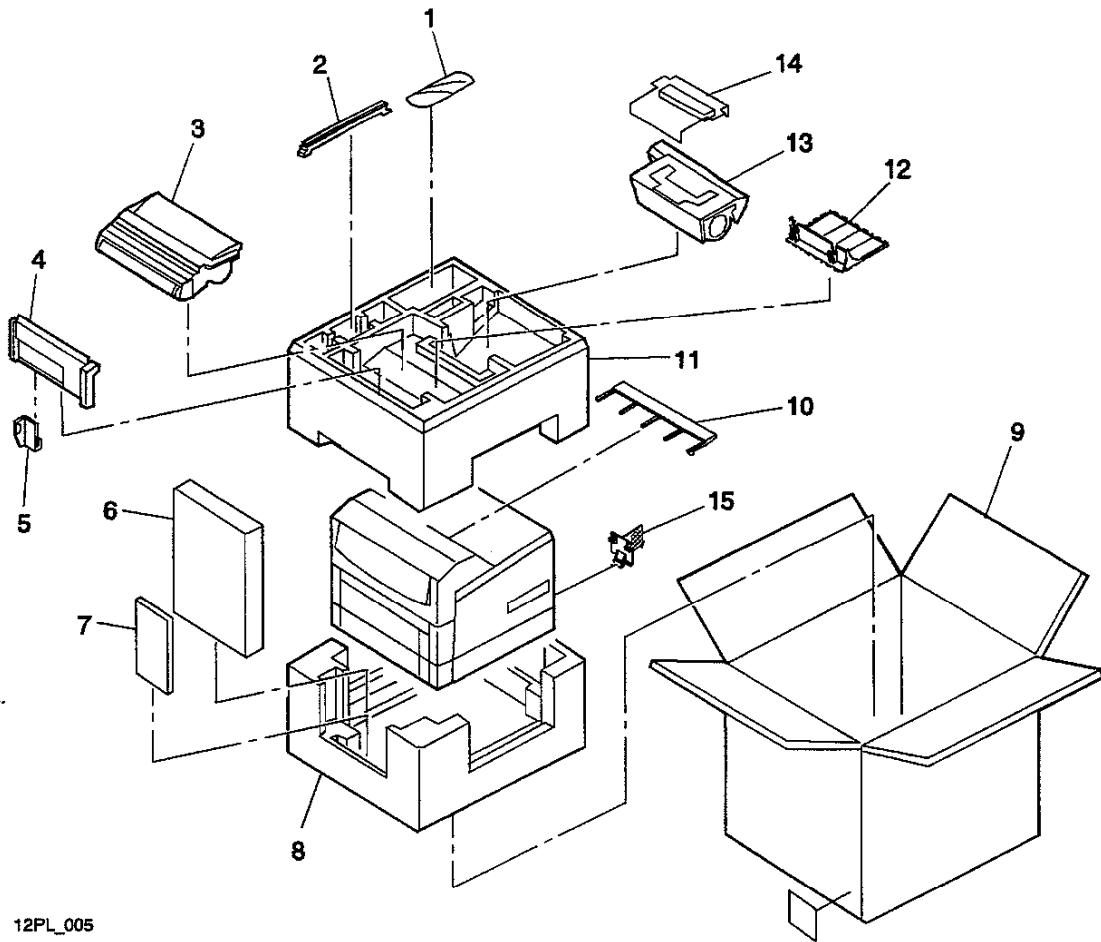
12PL_004



12pl_001

PL 12 Packing Material & Accessories

Item	Part	Description
1)	-----	AC Cord
2)	94K03380	Fuser Wiper
3)	101R90	Photoconductor / Drum Cartridge
4)	50K35110	Manual Feed Tray {Includes Item 5}
5)	-----	Paper Guide {P/O Item 4}
6)	-----	Cassette Fixing Cushion (Germany only)
7)	-----	Operation Manual
8)	695E32000	Bottom Packing Cushion20
9)	695E32010	Packing Case (110V)
	695E32270	Packing Case (220V)
10)	38E17250	Delivery Guide Cover
11)	695E31990	Top Packing Cushion
12)	50E13150	Received Document Tray Extender
13)	106R88	Developer Cartridge
14)	-----	DV Fixer Packing Cushion
15)	42E01210	Corotron Wire Cleaner



12PL_005

PL 13 Hardware

Item	Part	Description
A	153W28050	M3x10 Binding Head Tapping Screw
B	153W36050	M4x10 Pan Head Tapping Screw
C	26E43680	M4x12 Binding Head Tapping Screw
D	153W27850	M3x8 Pan Head (Cup) Tapping Screw
E	153W27850	M3x8 Binding Head Tapping Screw
F	153W27650	M3x6 Binding Head Tapping Screw
G	153W27550	M3x5 Binding Head Tapping Screw
H	153W28050	M3x10 Binding Head Tapping Screw
J	354W20852	5MM E-Ring
K	354W20752	4MM E-Ring
M	26E54360	M4x8 Binding Head Tapping Screw
N	356W26251	Grip Ring 5MM
P	153W28850	M3x16 Binding Head Tapping Screw
R	26E300140	M2.6x6 Pan Head Tapping Screw
S	26E46040	M4x6 Pan Head Machine Screw
T	113W27651	M3x6 Pan Head Machine Screw
U	354W20452	3MM E-Ring
V	252W02051	Washer 4.1IDx6.5ODx0.25 Thick
W	113W27850	M3x8 Binding Head Tapping Screw
X	356W15251	Grip Ring 1.9MM
Y	356W24251	Grip Ring 4MM
Z	113W27550	M3x4 Binding Head Tapping Screw
AA	113W27650	M3x6 Binding Head Tapping Screw
AB	113W27651	M3x6 Pan Head Machine Screw
AC	153W28250	M3x8 Pan Head (Cup) Tapping Screw
AD	354W20452	2MM E-Ring
AE	113W27451	M3x4 Pan Head Machine Screw
AF	153W27650	M3x6 Pan Head Machine Screw
AG	354W20552	1.5MM E-Ring
AH	251W21151	Washer 3.3IDx6.0ODx0.5 Thick
AJ	26E60250	Thumb Screw
AK	26E60260	Shoulder Screw
AM	113W16051	M2x10 Pan Head Machine Screw
AN	113W28651	M3x16 Pan Head Machine Screw
AP	153W27850	M3x8 Pan Head Tapping Screw
AS	26E60270	Shoulder Screw
AT	356W19251	Grip Ring 2.5MM
AU	26E60280	Thumb Screw
AV	113W29751	M3x32 Pan Head Machine Screw
AW	113W27651	M3x6 Pan Head Machine Screw
AX	113W27451	M3x4 Pan Head Machine Screw
AY	153W15650	M2x5 Binding Head Tapping Screw

PL 14 Part Number Cross Reference

Part Number	PL #	Part Number	PL #
3E41920	PL7	105K16280	PL7
3E42080	PL1	106R88	PL5 & PL12
5E12110	PL2	109R320	PL11
6K17040	PL5	109R321	PL11
6K17050	PL2	110E07460	PL3
7E47810	PL2	110K09090	PL9
7E47820	PL2	117E17460	PL9
7E47830	PL2	120E14570	PL2
7E47840	PL2	120E14580	PL3
7E47850	PL2	120E14740	PL1
7E47860	PL3	121E13210	PL2
7E47870	PL3	126K07410	PL10
7E47880	PL3	126K07420	PL10
7E47890	PL3	126K07430	PL10
7E47900	PL6	126K07440	PL10
7E47910	PL6	127E10740	PL6
7E47920	PL6	127E10750	PL7
7E47930	PL10	127E10860	PL9
7E47940	PL9	127K22200	PL3
22E20780	PL9	127K22210	PL9
22K53560	PL2	130K56450	PL2
22K53570	PL9	130K56460	PL10
22K53580	PL8	130K56470	PL10
23E14650	PL9	160K31820	PL4
31E08310	PL6	160K31830	PL5
38E17240	PL9	160K31840	PL5
38E17250	PL12	160K31850	PL3
42E01210	PL12	160K31860	PL3
48K56490	PL1	160K31870	PL7
48K56500	PL1	160K31910	PL7
48K56510	PL1	160K32520	PL7
48K56520	PL8	160K32530	PL7
50E13150	PL12	160K33020	PL7
50K35110	PL12	600S556	PL2
53E04840	PL7	695E31990	PL12
54K12360	PL5	695E32000	PL12
54K12370	PL1	695E32010	PL12
62K08340	PL4	695E32270	PL12
94K03380	PL12	733W03642	PL7
101R90	PL5 & PL12	733W03660	PL7
105K16260	PL7	809E01350	PL3
105K16270	PL7	809E01360	PL9
		891E17370	PL1

Notes